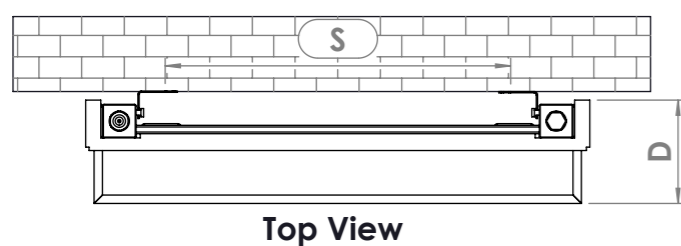
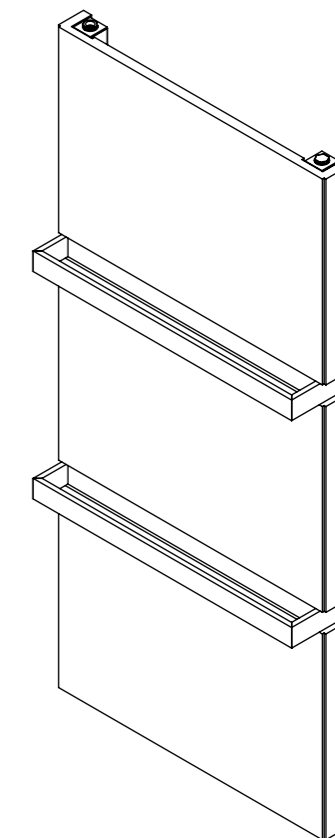
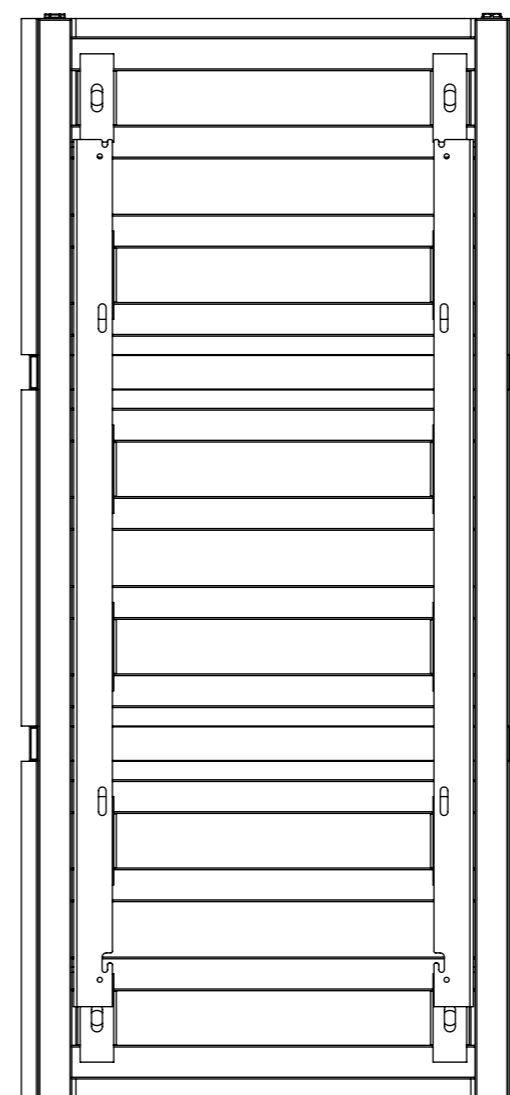
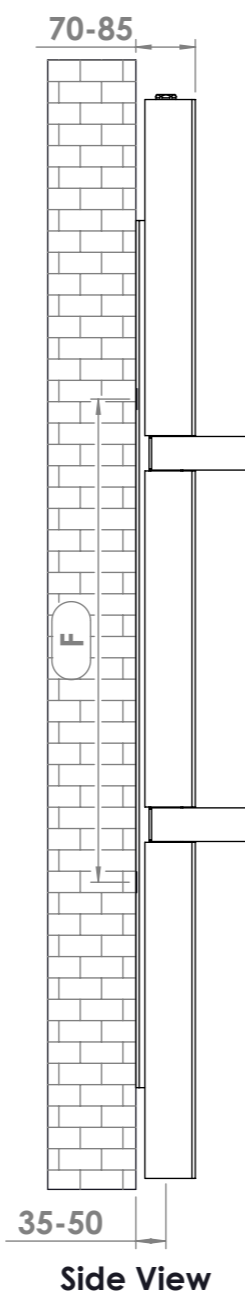
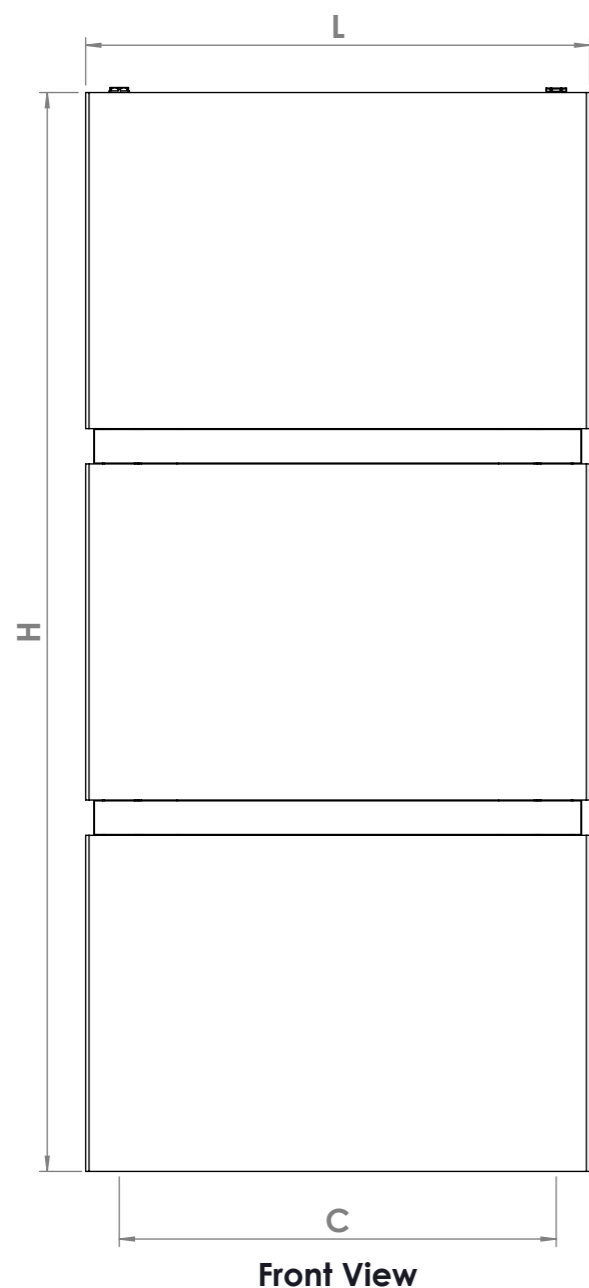
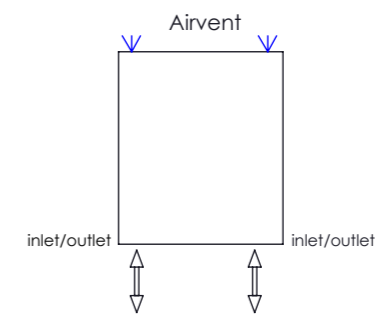


MARBELLA T

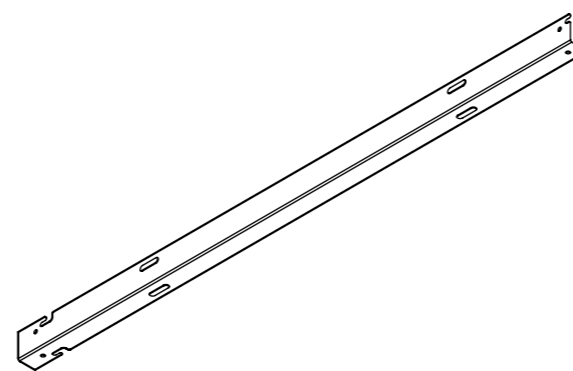
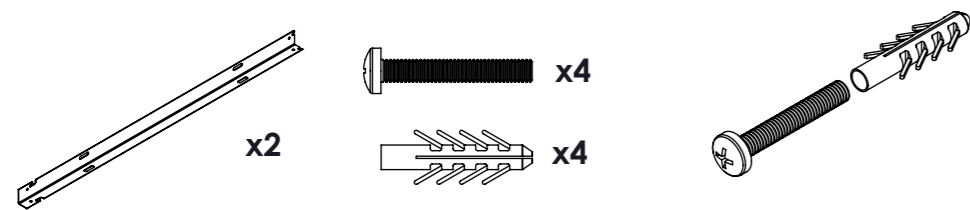


Plumbing Position:



Vertical mount
 All Dimensions are in mm
 Max. Working Pressure: 10 Bar
 Max. Working Temperature: 95° C
 Inlet / Outlet : 1/2" BSP
 Fuel : E/H/D
 Manufacturing Tolerance : - 5 mm

Installation Accessories:



PRODUCT CODE	Height	Length	Depth	Pipe Centres	Bracket Centres	
	H mm	L mm	D mm	C mm	F mm	S mm
MAR2	845	600	60	520	375	407
MAR3	1285	600	60	520	575	407
MAR4	1725	600	60	520	987	407
MAR2T	845	600	120	520	375	407
MAR3T	1285	600	120	520	575	407
MAR4T	1725	600	120	520	987	407
Nero Assoluto (MNA)	400	600	60			
Crema Marfil (MCM)	400	600	60			
Travertine Classico (MTC)	400	600	60			