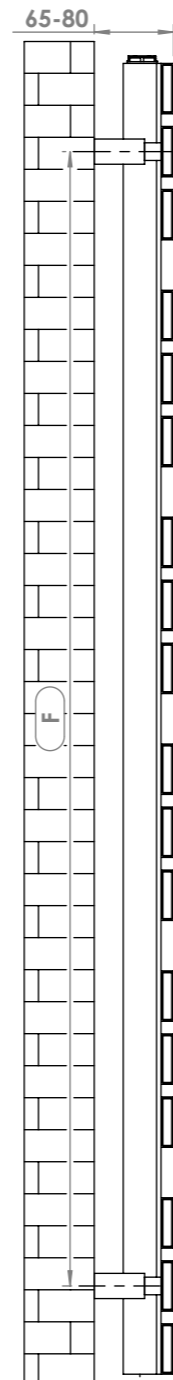
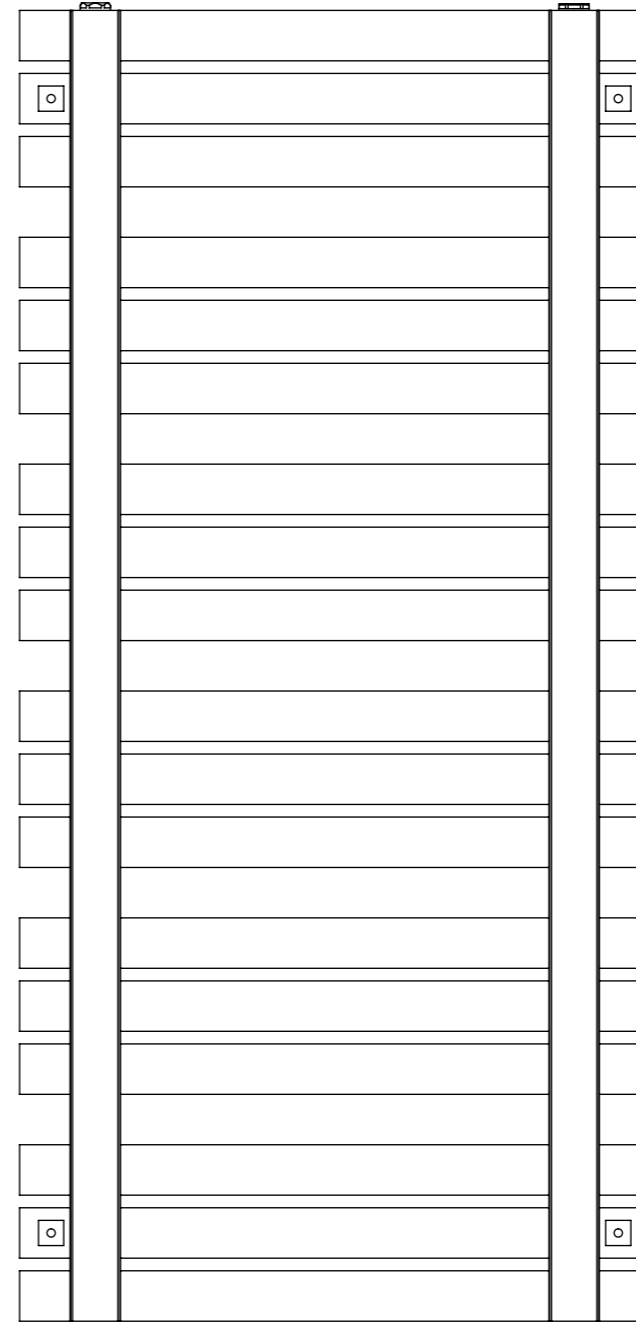


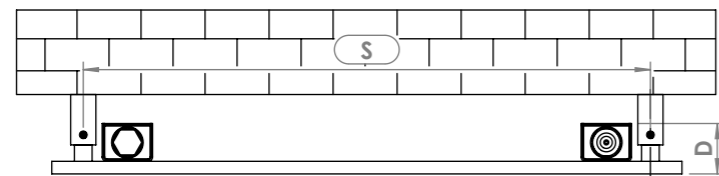
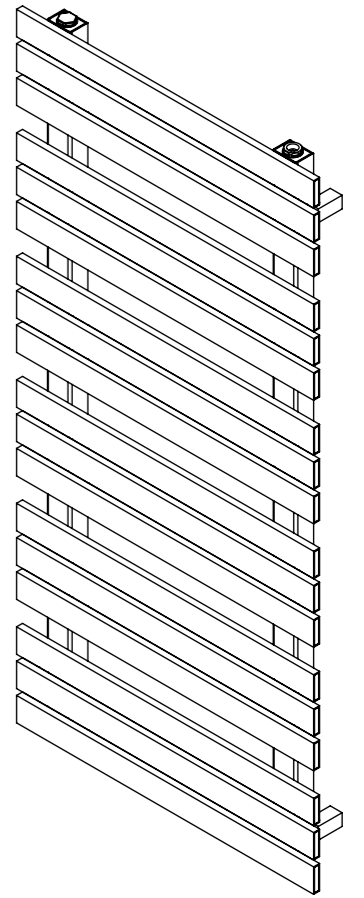
Front View



Side View

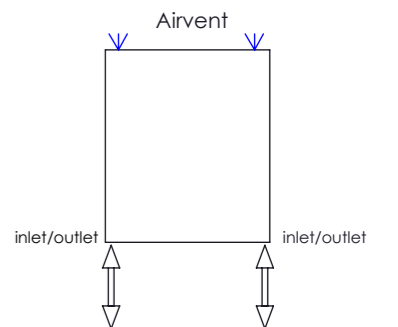


Back View



Top View







Plumbing Position:

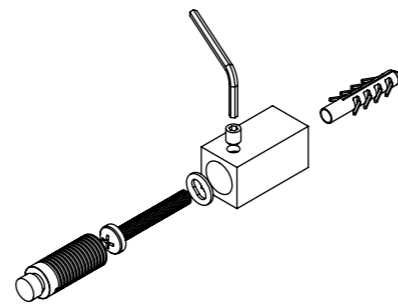


Vertical mount
 All Dimensions are in mm
 Max. Working Pressure: 10 Bar
 Max. Working Temperature: 95° C
 Inlet / Outlet : 1/2" BSP
 Fuel : E/H/D

Manufacturing Tolerance : - 5 mm

Installation Accessories:

-  x4  x4
-  x4  x4
-  x4  x1



PRODUCT CODE	Height	Length	Depth	Pipe Centres	Bracket Centres	
	H	L	D	C	F	S
	mm	mm	mm	mm	mm	mm
KA18	1040	500	40	380	900	450
KA24	1400	500	40	380	1260	450
KA30	1760	500	40	380	900-720	450