

### Features

- Double quarter-turn ceramic disc valves ensure reliable on/off operation.
- Ceramic disc valves exceed industry longevity standards, ensuring durable performance for life.
- Articulating spout with 360-degree rotation offers superior clearance for filling pots on cooktops and ranges.
- Single lever handle with main lever shutoff.
- 22" (559 mm) extended swing spout reach.
- 6.7 gal/min (25.4 l/min) at 60 psi (4.1 bar),
- Coordinates with other HiRise kitchen products.

### Material

- Stainless Steel construction.
- KOHLER finishes resist corrosion and tarnishing.

### Installation

- Wall-Mount installation.



### Codes/Standards

ASME A112.18.1/CSA B125.1

NSF/ANSI 61

NSF/ANSI 372

All applicable US Federal and State material regulations

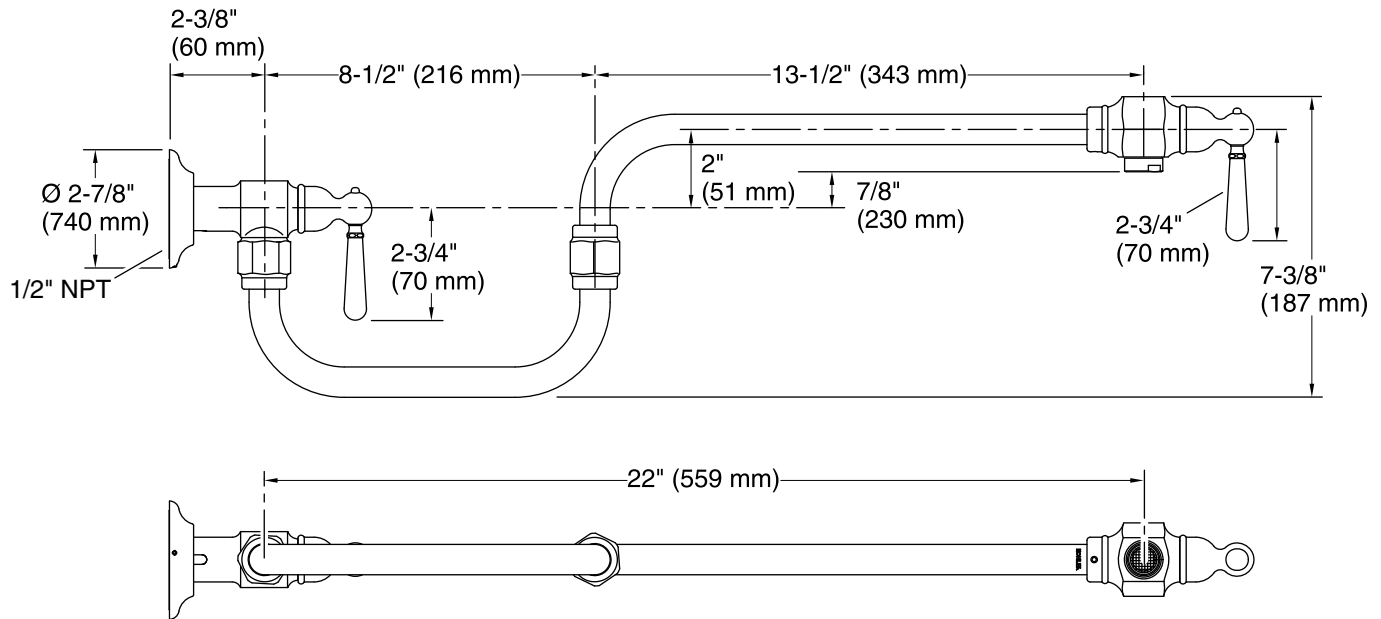
### KOHLER® Faucet Lifetime Limited Warranty

See website for detailed warranty information.

### Available Colors/Finishes

*Color tiles intended for reference only.*

Color	Code	Description
	S	Polished Stainless
	BS	Brushed Stainless



### Technical Information

All product dimensions are nominal.

#### Faucet:

Flow rate: 6.7 gal/min (25.4 l/min)

Pressure: 60 psi (4.1 bar)

#### Spout:

Spout reach: 22" (559 mm)

Handle clearance: 2-3/4" (70 mm)

### Notes

Install this product according to the installation guide.