



Mille Fleurs™ Conical Bell®

Above-counter/Wall-mount Bathroom Sink
K-14223-T9

Features

- Decorated with a blossom and bird pattern with gold and platinum accents on Almond background.
- Round bowl-like basin.
- No faucet holes; requires wall- or counter-mount faucet.

Material

- Vitreous china.

Installation

- Vessel

Recommended Products/Accessories

- K-7114 Pop-Up Drain
- K-7129 Drain
- K-9018 P-Trap
- K-9655 Wall-Mount Vessel Bracket

Included Components

- Additional Components:
- Adjustable linkage
 - Cut-out template



ADA

CSA B651

Codes/Standards

- ASME A112.19.2/CSA B45.1
- ADA
- ICC/ANSI A117.1
- CSA B651


KOHLER® One-Year Limited Warranty

See website for detailed warranty information.

Available Colors/Finishes

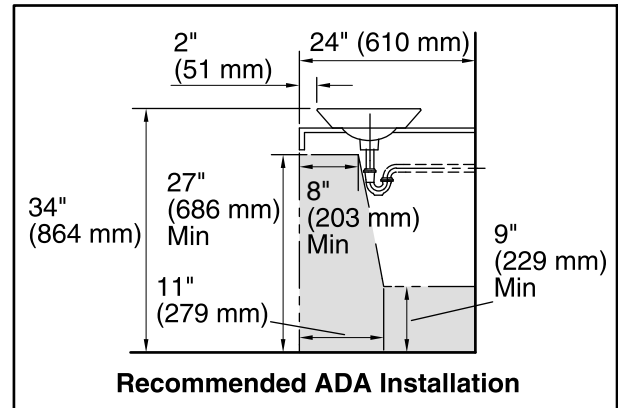
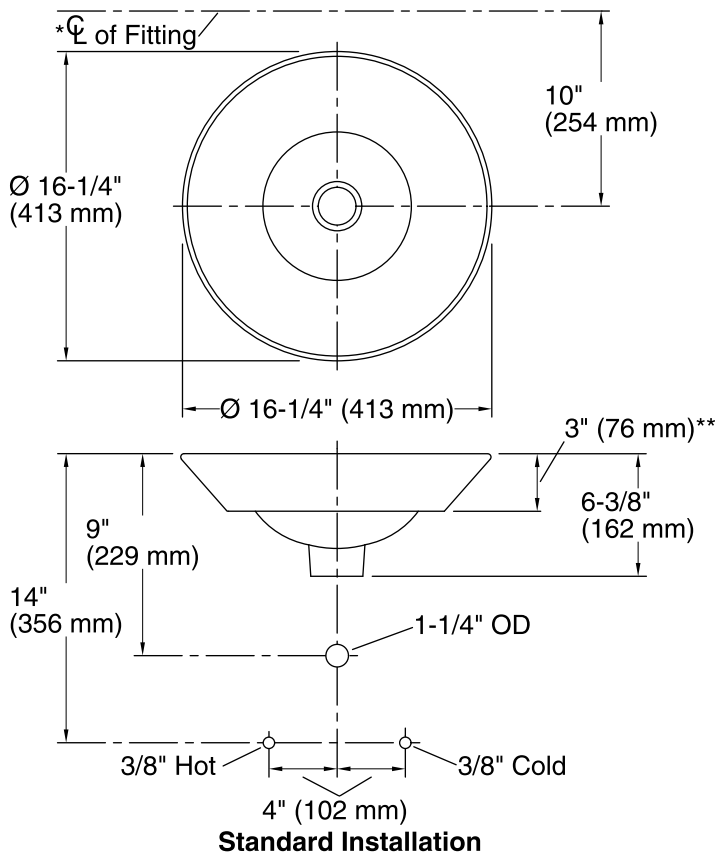
Color tiles intended for reference only.

| Color | Code | Description |
|-------|------|-------------|
|-------|------|-------------|

| | | |
|--|----|--------|
|  | 47 | Almond |
|--|----|--------|



Mille Fleurs™ Conical Bell®
 Above-counter/Wall-mount Bathroom Sink
K-14223-T9



Technical Information

All product dimensions are nominal.

- Bowl configuration: Single
- Installation: Vessel, Wall-mount
- Bowl area (Only): Diameter: 15-7/8" (403 mm)
Water depth: 4-1/4" (108 mm)
- Drain hole: 1-3/4" (44 mm)
- Template: 1002980-7, required, included

Notes

Install this product according to the installation instructions.

*Spout must be 5" (127 mm) long (min) for adequate clearance into the bathroom sink when installed with centerline as shown.

NOTICE: Countertop manufacturer or cutter must use the cut-out template provided with the product, or a current one provided by Kohler Co. (call 1-800-4-KOHLER). Kohler Co. is not responsible for cut-out errors when the incorrect cut-out template is used.

ADA, CSA B651 compliant when installed to the specific requirements of these regulations.