



## Mille Fleurs™ Caxton® Oval

Under-mount Bathroom Sink

K-14218-T9

### Features

- Decorated with a blossom and bird pattern with gold and platinum accents on Almond background.
- Oval basin.
- No faucet holes; requires wall- or counter-mount faucet.
- Fits standard 14- x 17-inch countertop cutout.

### Material

- Vitreous china.

### Installation

- Under-mount

### Recommended Products/Accessories

K-9018 P-Trap

### Included Components

Additional Components:

1193643 Basin Clamps



ADA

CSA B651

### Codes/Standards

ASME A112.19.2/CSA B45.1

ADA

ICC/ANSI A117.1

CSA B651


### KOHLER® One-Year Limited Warranty

See website for detailed warranty information.

### Available Colors/Finishes

*Color tiles intended for reference only.*

Color	Code	Description
-------	------	-------------

	47	Almond
--	----	--------

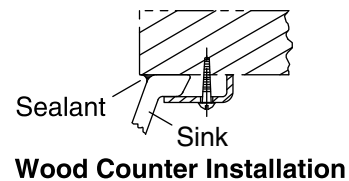
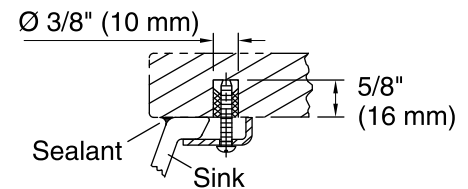
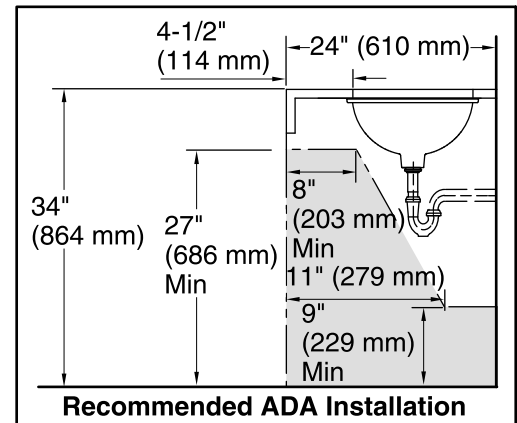
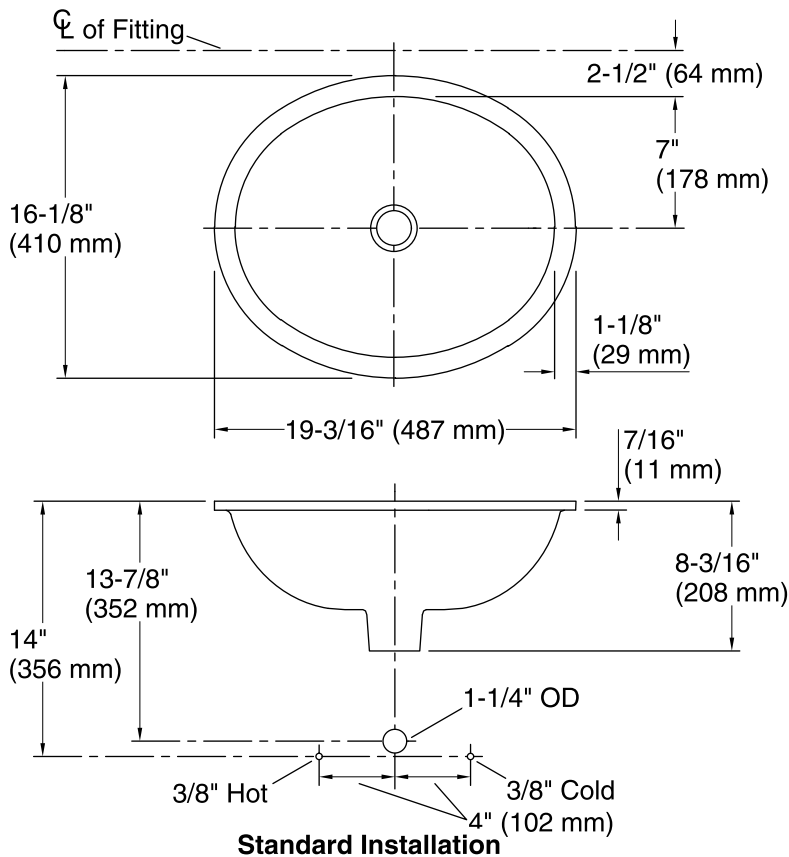
1-800-4KOHLER (1-800-456-4537)

Kohler Co. reserves the right to make revisions without notice to product specifications.

For the most current Specification Sheet, go to [www.kohler.com](http://www.kohler.com).

2-16-2019 11:29 - US/CA

THE BOLD LOOK  
OF **KOHLER**®



### Technical Information

All product dimensions are nominal.

Bowl configuration:	Single
Installation:	Under-mount
Bowl area (Only):	Length: 17" (432 mm) Width: 14" (356 mm) Water depth: 6-3/8" (162 mm)
Drain hole:	1-3/4" (44 mm)
Template:	1151011-7, required, included

### Notes

Install this product according to the installation instructions.

**NOTICE:** Countertop manufacturer or cutter must use the cut-out template provided with the product, or a current one provided by Kohler Co. (call 1-800-4-KOHLER). Kohler Co. is not responsible for cutout errors when the incorrect cut-out template is used.

ADA, CSA B651 compliant when installed to the specific requirements of these regulations.