



Features

- End drain.
- Overflows into horizontal overflow drain for maximum bathing depth.
- Integral lumbar support.
- Coordinates with other products in the Purist® collection.
- 72" (1829 mm) x 46" (1168 mm) x 25-3/16" (640 mm)

Material

- Acrylic

Installation

- Drop-in or under-mount.

Required Accessories

K-7273 Bath Drain

Recommended Accessories

K-24916 Wireless Music Kit
K-589 Under-Mount Installation Kit
K-923 Wall- Or -Ceiling-Mount Bath Filler
K-1491 Bath/Whirlpool Pillow
K-1601 Bath/Whirlpool Footstop
K-T12885-4 Bath Faucet Trim
K-T314-4M Bath Faucet Trim
K-T398-4 Bath Faucet Trim
K-T6906-4 Bath Faucet Trim
K-T954-4 Bath Faucet Trim



Codes/Standards




CSA B45.5/IAPMO Z124
ASTM E162
ASTM E662
Greenguard UL 2818 - Gold

KOHLER® Plastic Baths and Receptors Lifetime Limited Warranty

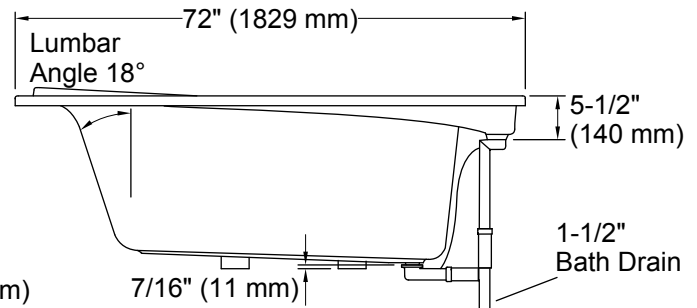
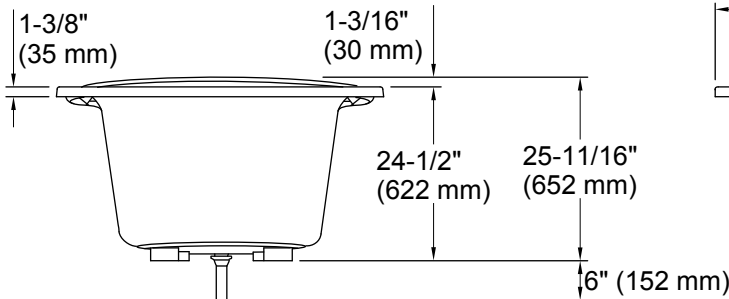
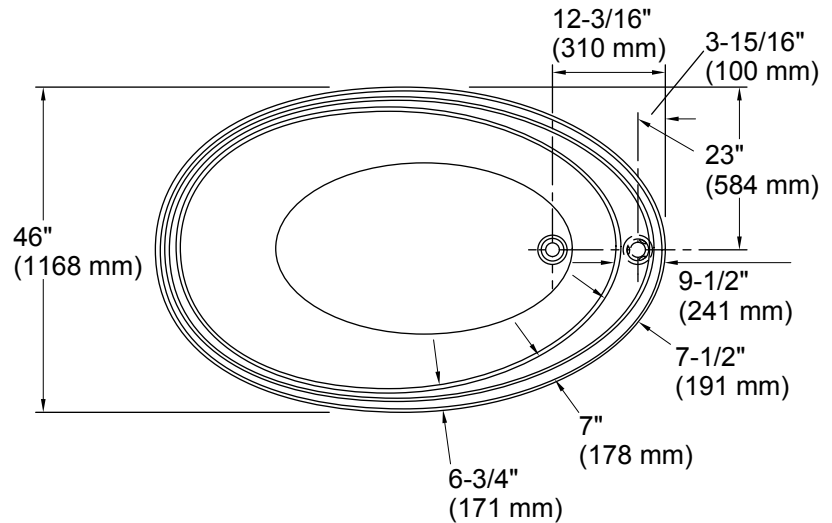
See website for detailed warranty information.

Available Color/Finishes

Color tiles intended for reference only.

Color	Code	Description
	0	White
	96	Biscuit
	47	Almond

No change in measurements if connected with drain illustrated. (K-7273)



Technical Information

All product dimensions are nominal.

Installation:	Drop-in, Under-mount
Drain location:	End
Basin area, bottom:	45" x 25-1/2" (1143 mm x 648 mm)
Basin area, top:	63" x 31-1/2" (1600 mm x 800 mm)
Weight:	115 lbs (52.2 kg)
Minimum floor load:	48 lbs/ft ² (234.4 kg/m ²)
Water depth:	21" (533 mm)
Water capacity:	115 gal (435.3 L)
Template:	Top-mount/Under-mount, 1016369-7, required, included

Notes

Measure your actual product for rough-in details.

Install this product according to the installation instructions.

The hot water supply should be 70% of the capacity of the bath or greater. Installations will vary.

Kit is required for under-mount installations (sold separately).