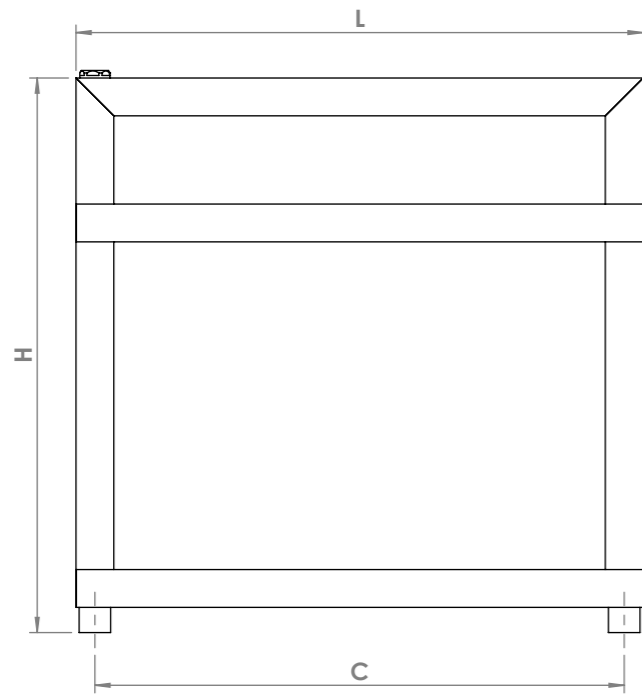
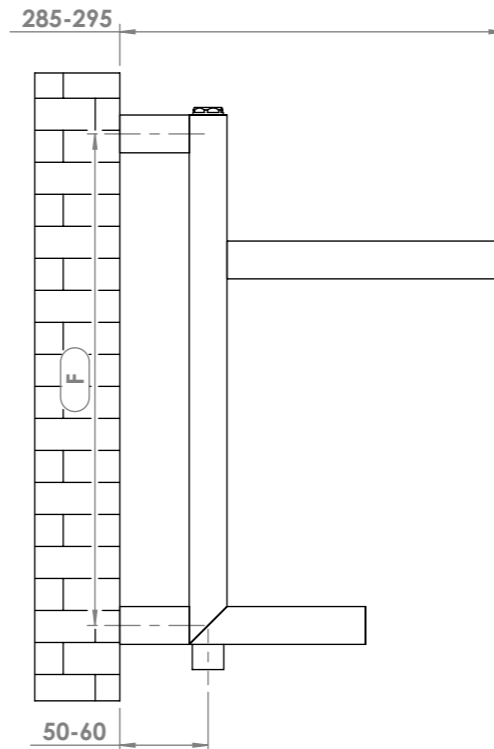


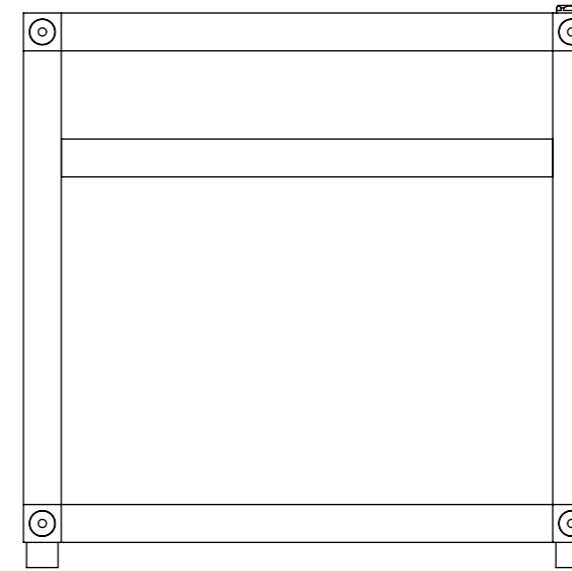
# F - BAR



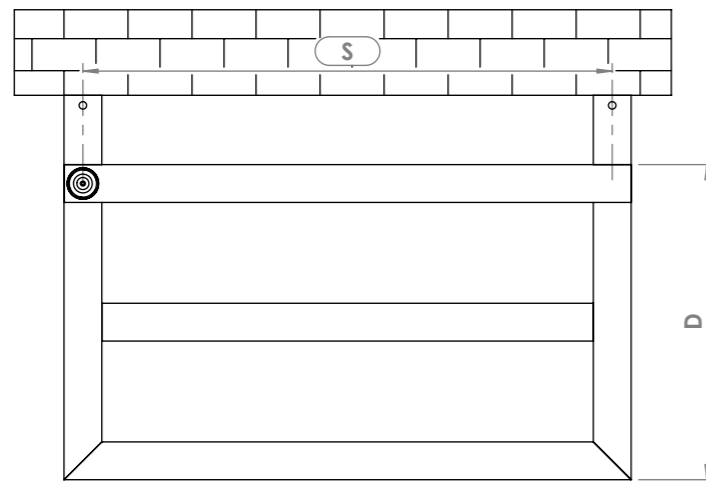
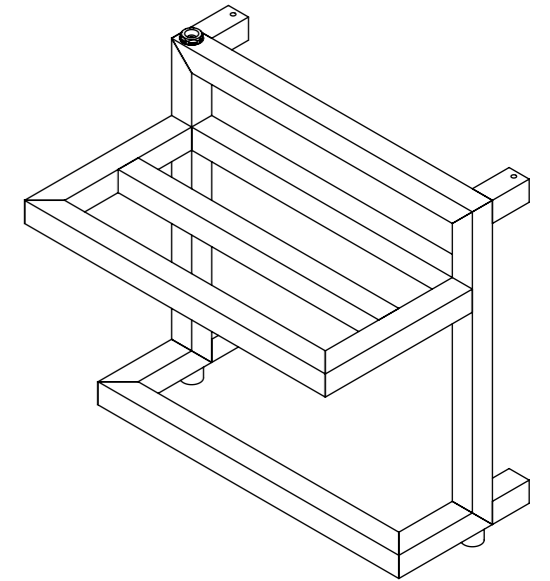
Front View



Side View

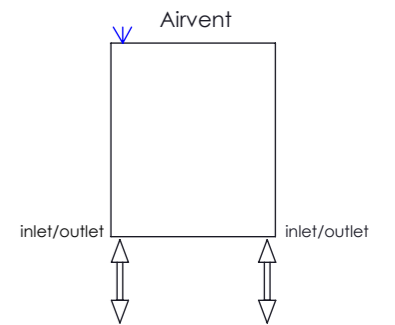


Back View



Top View







### Plumbing Position:

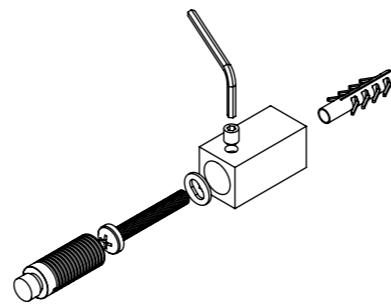


Vertical mount  
 All Dimensions are in mm  
 Max. Working Pressure: 10 Bar  
 Max. Working Temperature: 95° C  
 Inlet / Outlet : 1/2" BSP  
 Fuel : E/H/D

Manufacturing Tolerance : - 5 mm

### Installation Accessories:

-  x4       x4
-  x4       x4
-  x4       x1



PRODUCT CODE	Height	Length	Depth	Pipe Centres	Bracket Centres	
	H	L	D	C	F	S
	mm	mm	mm	mm	mm	mm
FBA404	440	450	250	420	390	420