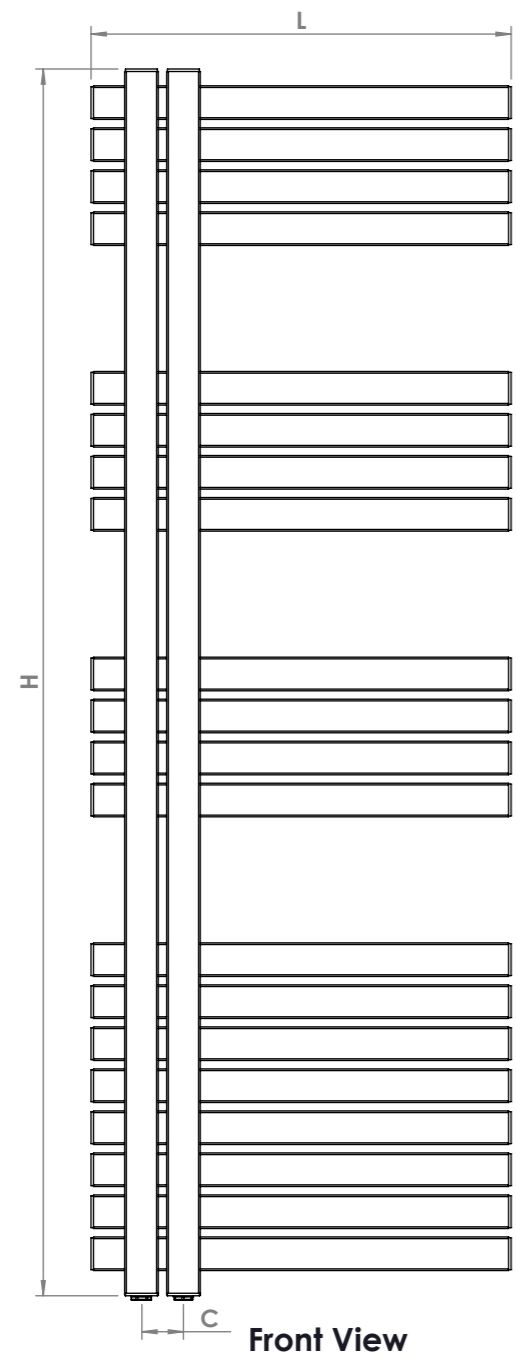
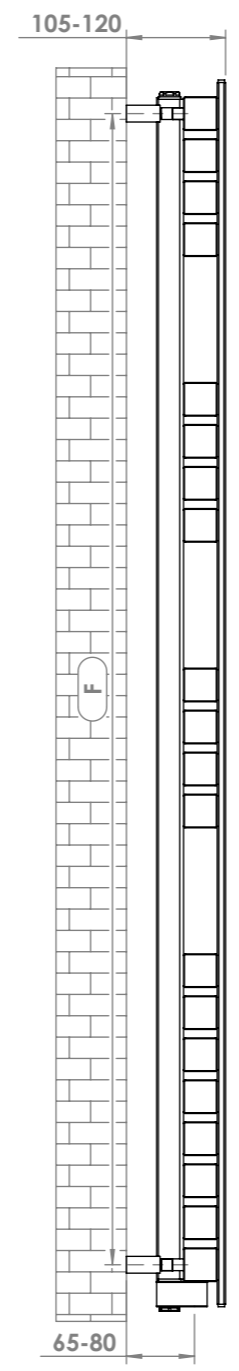


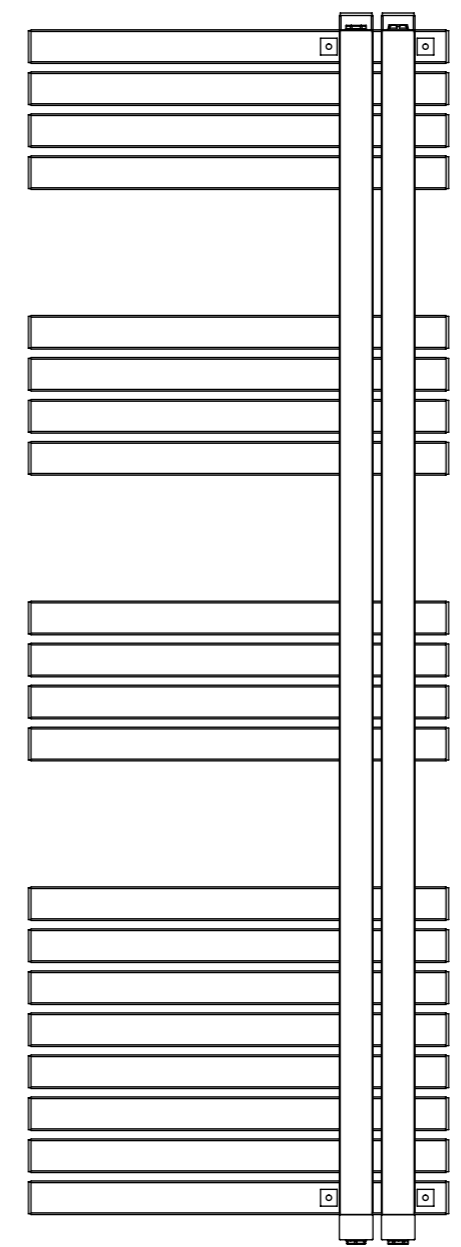
COMBE (Right)



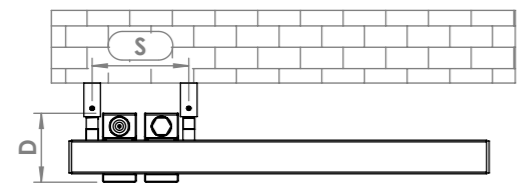
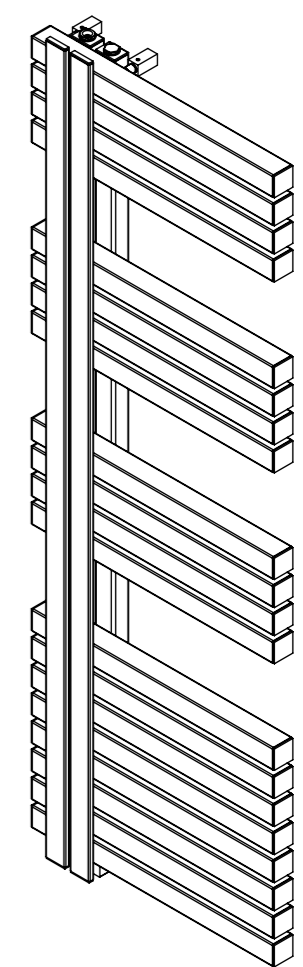
Front View



Side View

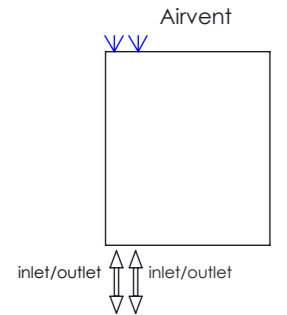


Back View




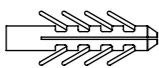




Top View

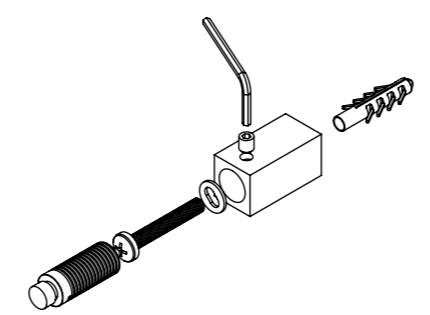
Plumbing Position:



Vertical mount
 All Dimensions are in mm
 Max.Working Pressure: 10 Bar
 Max.Working Temperature: 95° C
 Inlet / Outlet : 1/2" BSP
 Fuel : E/H/D
 Manufacturing Tolerance : - 5 mm

Installation Accessories:

-  x4
-  x4
-  x4
-  x4
-  x4
-  x1



PRODUCT CODE	Height	Length	Depth	Pipe Centres	Bracket Centres	
	H	L	D	C	F	S
	mm	mm	mm	mm	mm	mm
COM10-R	920	500	80	50	830	115
COM15-R	1460	500	80	50	1370	115
COM18-R	1710	500	80	50	880-740	115