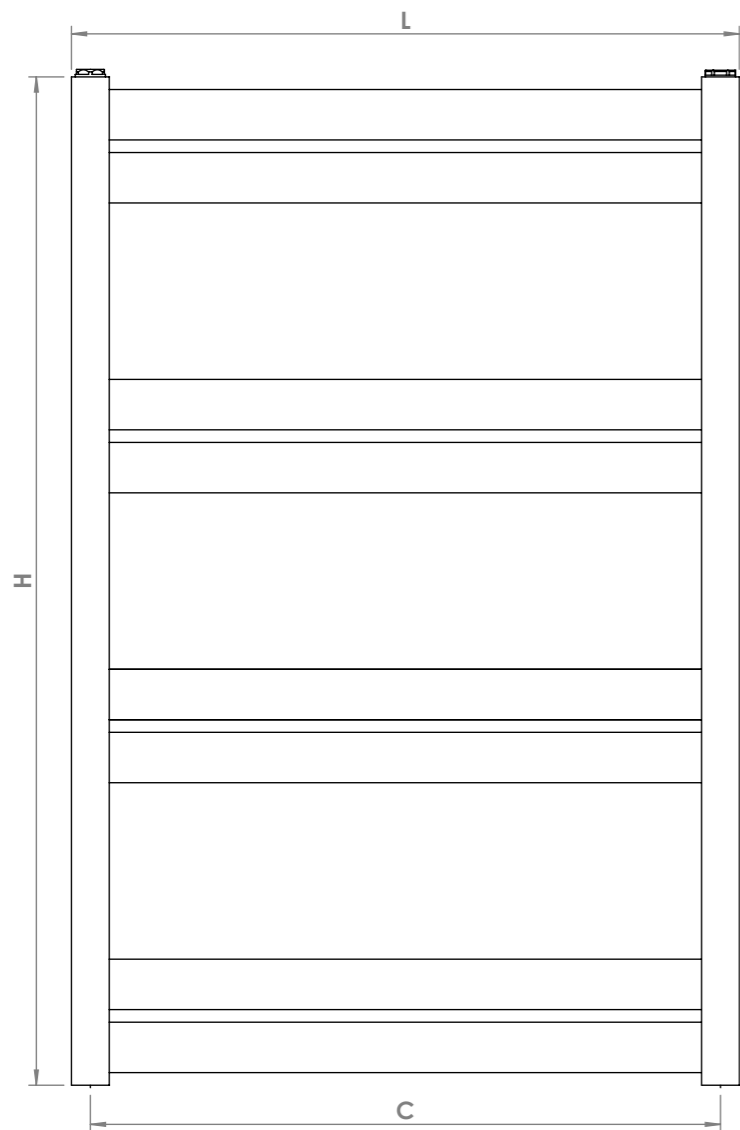
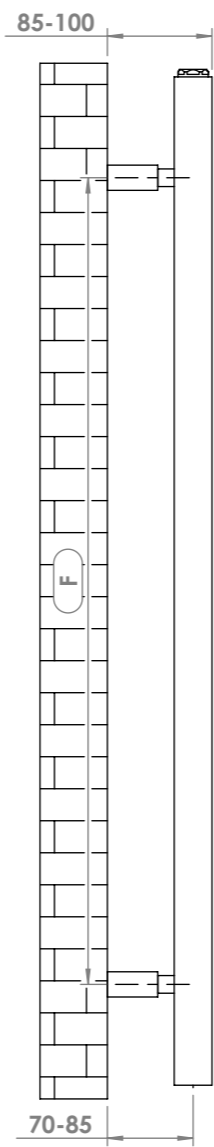


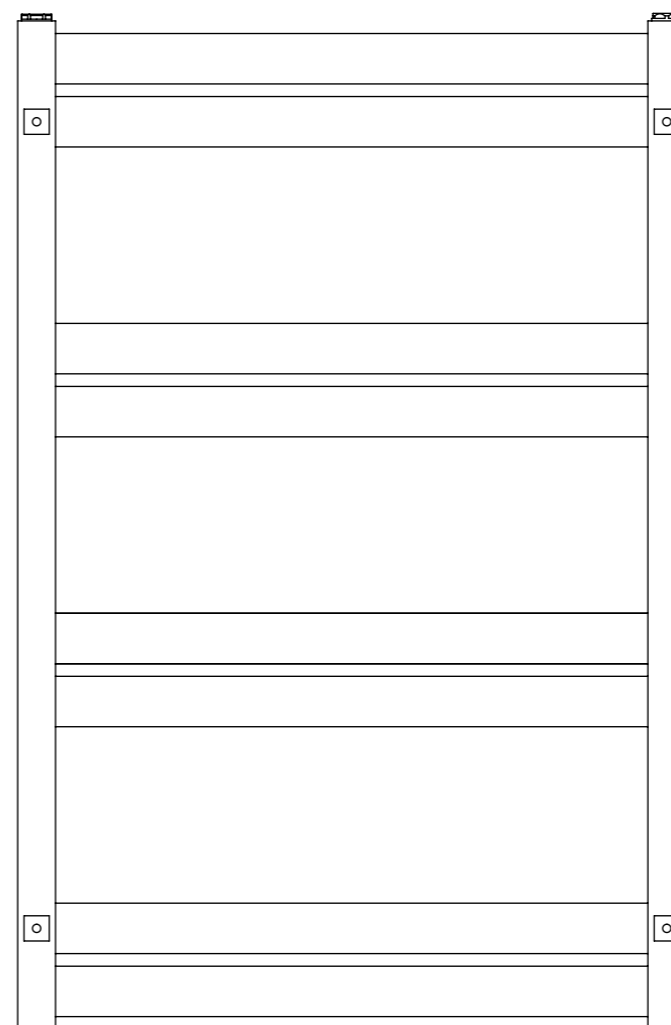
CAT LADDER



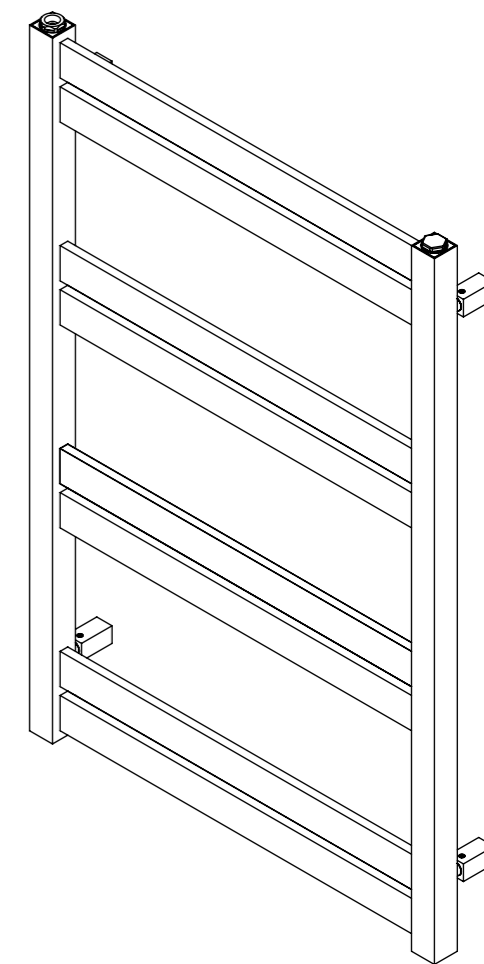
Front View



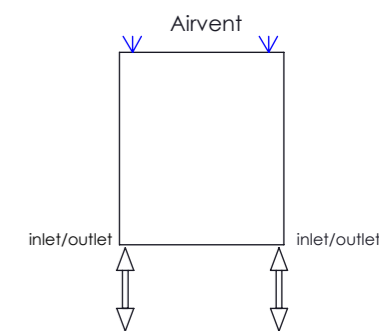
Side View



Back View

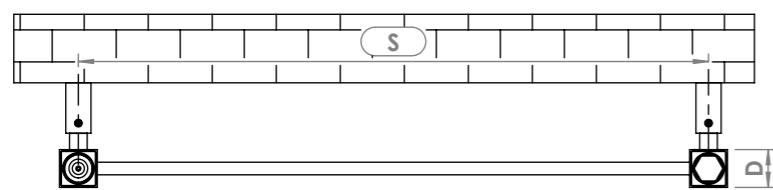


Plumbing Position:









Vertical mount
 All Dimensions are in mm
 Max. Working Pressure: 10 Bar
 Max. Working Temperature: 95° C
 Inlet / Outlet : 1/2" BSP
 Fuel : E/H/D

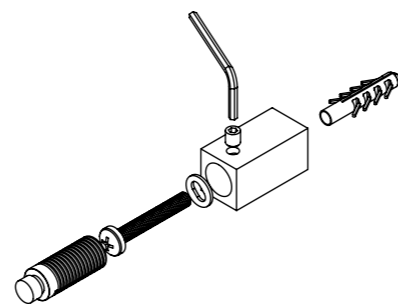
Manufacturing Tolerance : - 5 mm



Top View

Installation Accessories:

-  x4  x4
-  x4  x4
-  x4  x1



PRODUCT CODE	Height	Length	Depth	Pipe Centres	Bracket Centres	
	H	L	D	C	F	S
	mm	mm	mm	mm	mm	mm
CLA508-8	800	530	30	500	640	500
CLA510-10	1030	530	30	500	870	500
CLA513-12	1260	530	30	500	1100	500
CLA515-14	1490	530	30	500	1330	500
CLA517-16	1720	530	30	500	1560	500