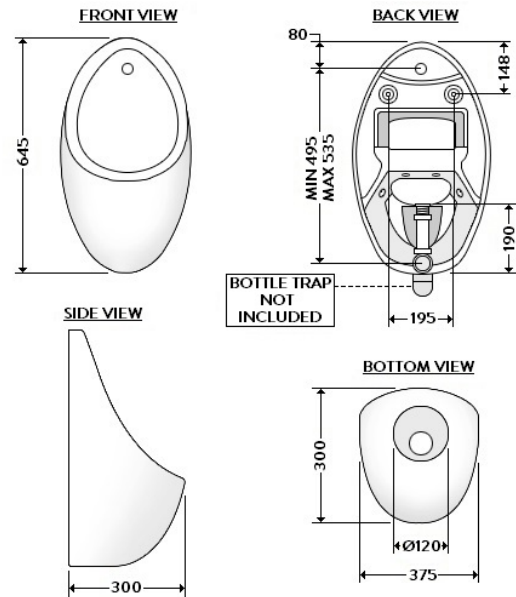


TECHNICAL DATA SHEET

BRAND: BAGNODESIGN

REMO II WALL MOUNTED URINAL WH



PRODUCT DATA

Range : REMO
Product code : BDS-REM-800211-A-WH
Finish/Colour : WHITE
Product type : URINAL
Material : CERAMIC
Connection Size : 1 1/2"

TECHNICAL INFORMATION

WALL MOUNTED URINAL
USE SPREADER BDP-AQU-BIS15-A-CP
WATER INLET AT THE REAR
CONCEALED TRAP URINAL
FIXING KIT REQUIRED BFK-URNL
BOTTLE TRAP NOT INCLUDED

SCOPE OF DELIVERY

URINAL

