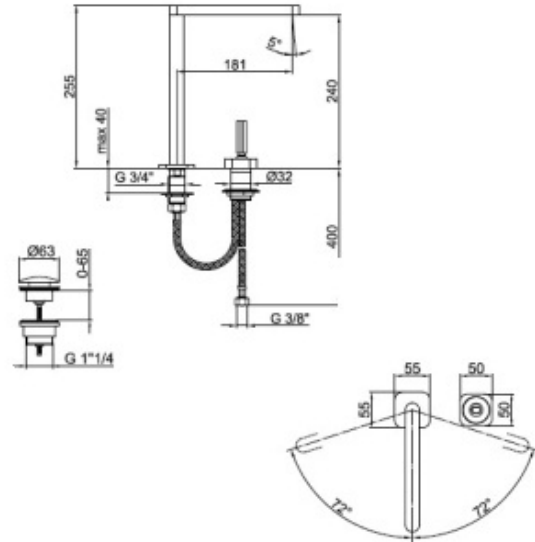


## TECHNICAL DATA SHEET

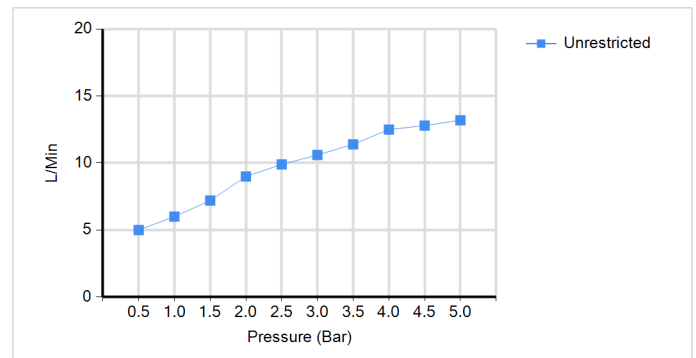
BRAND: BAGNODESIGN

ES17 URBAN 2 HOLE TALL BASIN MIXER W/PTW CP



### PRODUCT DATA

Range : URBAN  
Product code : BDM-URB-111524-A-CP  
Finish/Colour : CHROME  
Product type : 2 HOLE BASIN MIXER  
Material : BRASS  
Connection Size : 1/2"  
Water pressure : 0.2-5 Bar



### TECHNICAL INFORMATION

MONO 2 HOLE TALL BASIN MIXER  
DECK MOUNTED  
SINGLE LEVER  
WITH POP UP WASTE  
WITH WATER FLOW AERATOR  
2X 1/2"NUT X 350MM FLEXI PIPE  
1X 1/2"NUT X 500MM FLEXI PIPE  
DRILL HOLE DIA SPOUT 24-26 MM  
DRILL HOLE DIA HANDLE 30-32 MM

### SCOPE OF DELIVERY

BASIN MIXER  
WASTE ASSEMBLY  
1 X BASE PLATE  
3 X FLEXIBLE PIPES  
FIXING KIT + FIBRE WASHER  
ALLEN KEY  
INSTALLATION GUIDE

