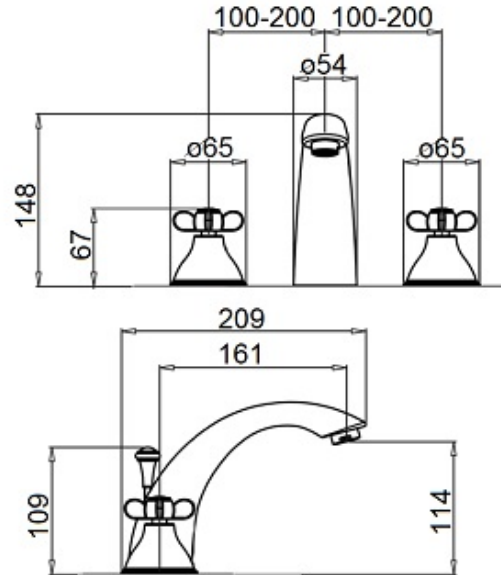


TECHNICAL DATA SHEET

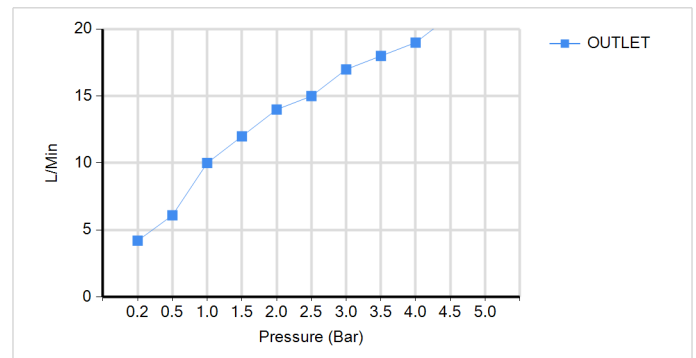
BRAND: BAGNODESIGN

PRINCESS NV 3 HOLE BASIN MIXER W/PUW CP



PRODUCT DATA

Range : PRINCESS NOUVEAU
Product code : BDM-PRI-303-CP
Finish/Colour : CHROME
Product type : 3 HOLE BASIN MIXER
Material : BRASS
Connection Size : 1/2"
Water pressure : 0.2-5 Bar
RMP : 0.2 BAR LP



TECHNICAL INFORMATION

3 HOLE BASIN MIXER
DECK MOUNTED
TWIN HANDLE
WITH POP UP WASTE
WITH WATER FLOW AERATOR
2X 1/2"NUT X 350 MM FLEXI PIPE
DRILL HOLE DIA 42-48 MM

SCOPE OF DELIVERY

BASIN SPOUT
2X HANDLES
WASTE ASSEMBLY
2 X FLEXIBLE PIPES
FIXING KIT
PUSH ROD

