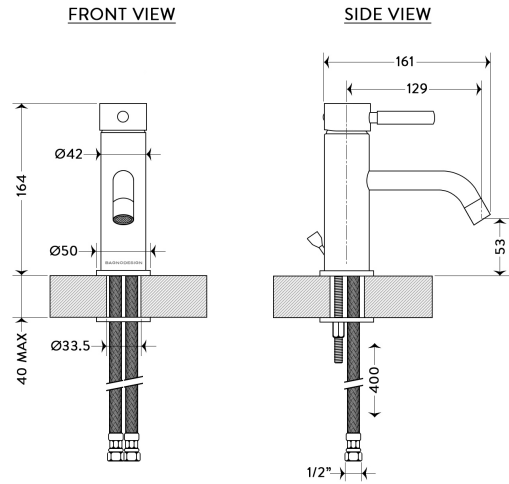


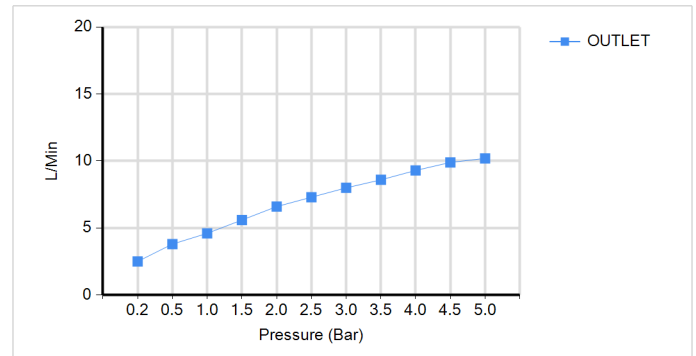
TECHNICAL DATA SHEET

BRAND: BAGNODESIGN
M-LINE MONO BASIN MIXER W/PUW CP



PRODUCT DATA

Range : M-LINE
Product code : BDM-MLI-111515-A-CP
Finish/Colour : CHROME
Product type : MONO BASIN MIXER
Material : BRASS
Connection Size : 1/2"
Water pressure : 0.2-5 Bar
RMP : 0.5 BAR LP



TECHNICAL INFORMATION

MONO BASIN MIXER
DECK MOUNTED
WITH POP UP WASTE
WITH WATER FLOW AERATOR
2X 1/2"NUT X 350MM FLEXI PIPE
DRILL HOLE DIA 30-32 MM
CARTRIDGE SXM-CAR-K35A-HWS
WRAS APPROVAL I511334

SCOPE OF DELIVERY

BASIN MIXER
WASTE ASSEMBLY
BASE PLATE
2 X FLEXIBLE PIPES
FIXING KIT
PUSH ROD
INSTALLATION GUIDE

