

Trim and lever for built-in bath/shower mixer 98633D



Collection: MODULO

Finish*:



Main features:



Consumer benefits

- Equipped with an evacuation system to avoid condensation inside Modulo box
- STRAYT ergonomic handle for easy grip

Installation benefits

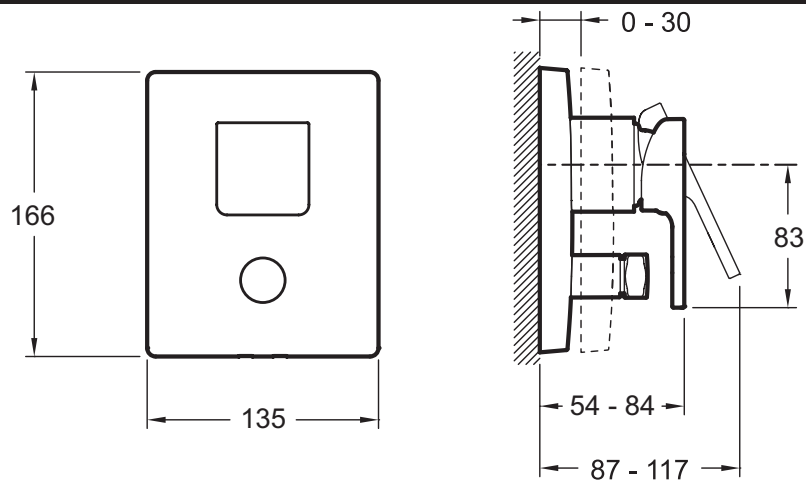
- Pre-assembled fixing screws on cartridge box to make installation easier
- Easy-to-install cartridge, thanks to guide notches
- Easy access to built-in body for convenient maintenance (cartridge, etc.)

Features

- Weight: 2.9 kg
- Normes: ACS (Certificate of Sanitary Compliance): 10 ACC LY 004
- Incl. non-return valve
- DVGW NW-6512CP0428

- Installation: Wall-mount
- Incl. single-lever built-in mixer
- Ceramic disk cartridge

Technical drawing



Product Specification: Trim and lever for built-in bath/shower mixer. 98633D. Collection: MODULO. Weight: 2.9 kg. Installation: Wall-mount. Normes: ACS (Certificate of Sanitary Compliance): 10 ACC LY 004. Incl. single-lever built-in mixer. Incl. non-return valve. Ceramic disk cartridge. DVGW NW-6512CP0428.