



Collection: RÊVE

Finish*:



00 - White

Main features:



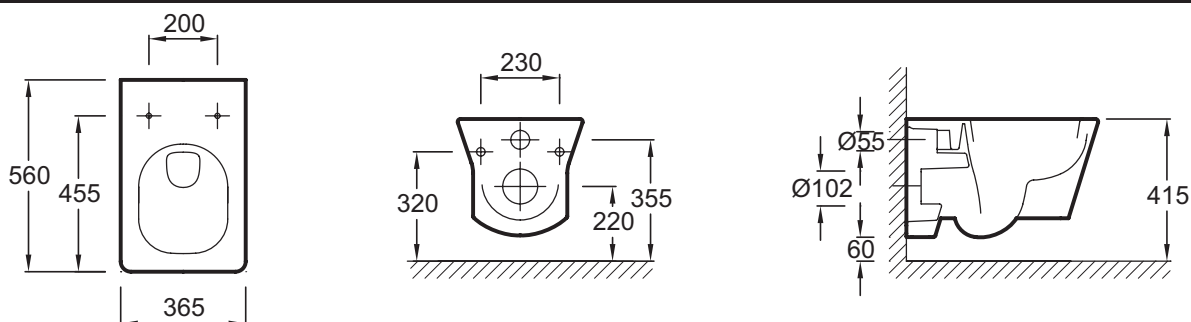
Features

- Dimensions: 56 x 36.5
- Material: Ceramic
- Toilet with contemporary lines
- Water saving 3/6L dual flush
- Weight: 26.5 kg
- Installation: Wall-hung
- Slow-close thermostet seat E6402 and metal hinges included. removable
- The distance between the mounting holes is 230 mm

Optional products

- 72228: WC seat with slow-close and metal hinge

Technical drawing



Product Specification: Wall-hung WC pan 56 x 36.5 cm. 5036K. Collection: RÊVE. Dimensions: 56 x 36.5. Weight: 26.5 kg. Material: Ceramic. Installation: Wall-hung. Toilet with contemporary lines. Slow-close thermostet seat E6402 and metal hinges included. removable. Water saving 3/6L dual flush. The distance between the mounting holes is 230 mm.