

Collection: MARGAUX

Finish\*:

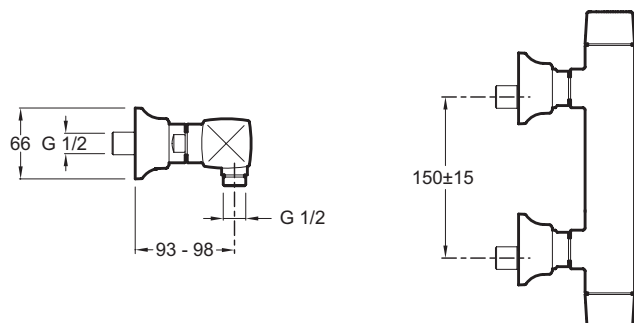


CP - Polished  
Chrome

## Features

- Weight: 3.4 kg
- Flow rate: 20 l/min
- Margaux offers a unique blend of traditional design elements and modern fluidity to complement eclectic design interiors with refreshed sophistication
- Installation: Wall-mount
- Hole configuration:  $150 \pm 15$  mm

## Technical drawing



Product Specification: 2-handle wall-mount shower mixer. 16297D-9. Collection: MARGAUX. Weight: 3.4 kg. Installation: Wall-mount. Flow rate: 20 l/min. Hole configuration:  $150 \pm 15$  mm. Margaux offers a unique blend of traditional design elements and modern fluidity to complement eclectic design interiors with refreshed sophistication.