

### Features

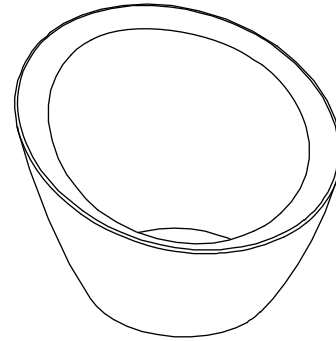
- Vitreous china
- Above-the-counter
- 16-1/2" (419 mm) x 12-5/8" (321 mm)

## CRUCIBLE® BATHROOM SINK K-2271

### Codes/Standards Applicable

Specified model meets or exceeds the following:

- ASME A112.19.2/CSA B45.1



### Colors/Finishes

- 0: White
- Other: Refer to Price Book for additional colors/finishes

### Accessories:

- CP: Polished Chrome
- NA: None applicable
- Other: Refer to Price Book for additional colors/finishes

### Specified Model

Model	Description	Colors/Finishes	
K-2271	Crucible bathroom sink	<input type="checkbox"/> 0 White	<input type="checkbox"/> Other _____

Recommended Accessories			
K-9018	P-Trap	<input type="checkbox"/> CP	<input type="checkbox"/> Other _____
K-T196	Falling Water® faucet trim with 8-1/4" (210 mm) spout <b>OR</b>	<input type="checkbox"/> CP	<input type="checkbox"/> Other _____
K-T198	Falling Water faucet trim with 10-1/4" (260 mm) spout	<input type="checkbox"/> CP	<input type="checkbox"/> Other _____
K-307-K	Single handle ceramic valve*	<input type="checkbox"/> NA	
K-7127	Drain <b>OR</b>	<input type="checkbox"/> CP	<input type="checkbox"/> Other _____
K-7129	Grid drain	<input type="checkbox"/> CP	<input type="checkbox"/> Other _____

\*Valve must be ordered to complete Falling Water faucet.

### Product Specification

The bathroom sink shall be 16-1/2" (419 mm) in length, and 12-5/8" (321 mm) in width. Bathroom sink shall be made of vitreous china. Bathroom sink shall be above-the-counter. Bathroom sink shall be Kohler Model K-2271-\_\_\_\_\_.

# VESSELS™

## Technical Information

Fixture*:	
Basin area	14" (356 mm) x 11" (279 mm)
Water depth	6-1/4" (159 mm)
Drain hole	Ø 1-3/4" (44 mm)
*Approximate measurements for comparison only.	
Included components:	
Cut-out template	1002979-7

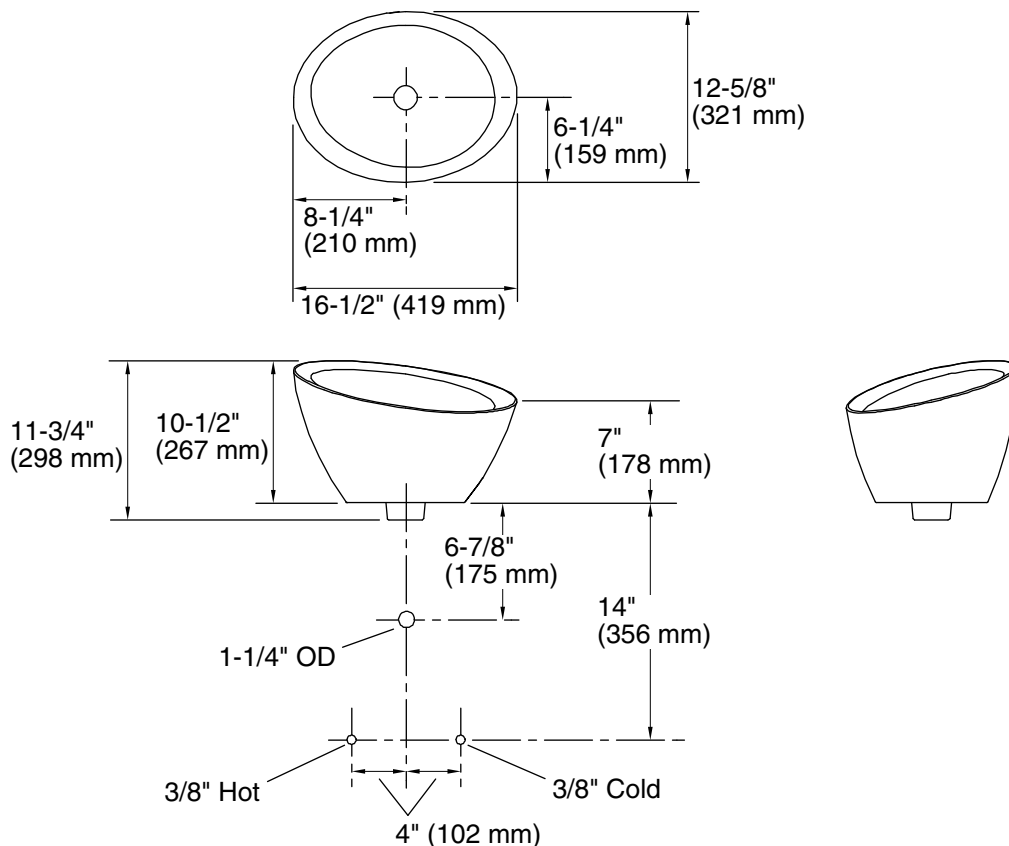
## Installation Notes

Install this product according to the installation guide.

Spout must be a minimum of 8" (203 mm) long for adequate clearance into bathroom sink.

**IMPORTANT!** Product rests on countertop. Account for height of product when designing installation.

**NOTICE:** Countertop manufacturer or cutter **must** use the cut-out template provided with the product, or a current one provided by Kohler Co. (call 1-800-4KOHLER). Kohler Co. is not responsible for cutout errors when the incorrect cut-out template is used.



## Product Diagram