

Features

- Single lever handle allows for both volume and temperature control
- Temperature memory allows faucet to be turned on and off at any temperature setting.
- Includes touch-activated drain with 1-1/4" tailpiece and overflow.
- KOHLER ceramic disc valves exceed industry longevity standards for a lifetime of durable performance
- 1.2 gal/min (4.5 l/min) maximum flow rate [max at 60 psi (4.14 bar)].
- 6-3/8" (162 mm) spout reach.
- Ideal for vessel sink applications
- Coordinates with Stance faucets, accessories, and showering components to complete your bathroom.

Material

- Premium Metal Construction
- KOHLER® finishes resist corrosion and tarnish

Installation

- Single-hole mounting
- Pre-attached flexible supply lines simplify installation



Codes/Standards

ASME A112.18.1/CSA B125.1
NSF/ANSI 61
NSF/ANSI 372
All applicable US Federal and State material regulations
DOE - Energy Policy Act 1992
EPA WaterSense®
California Energy Commission (CEC)



KOHLER® Faucet Lifetime Limited Warranty

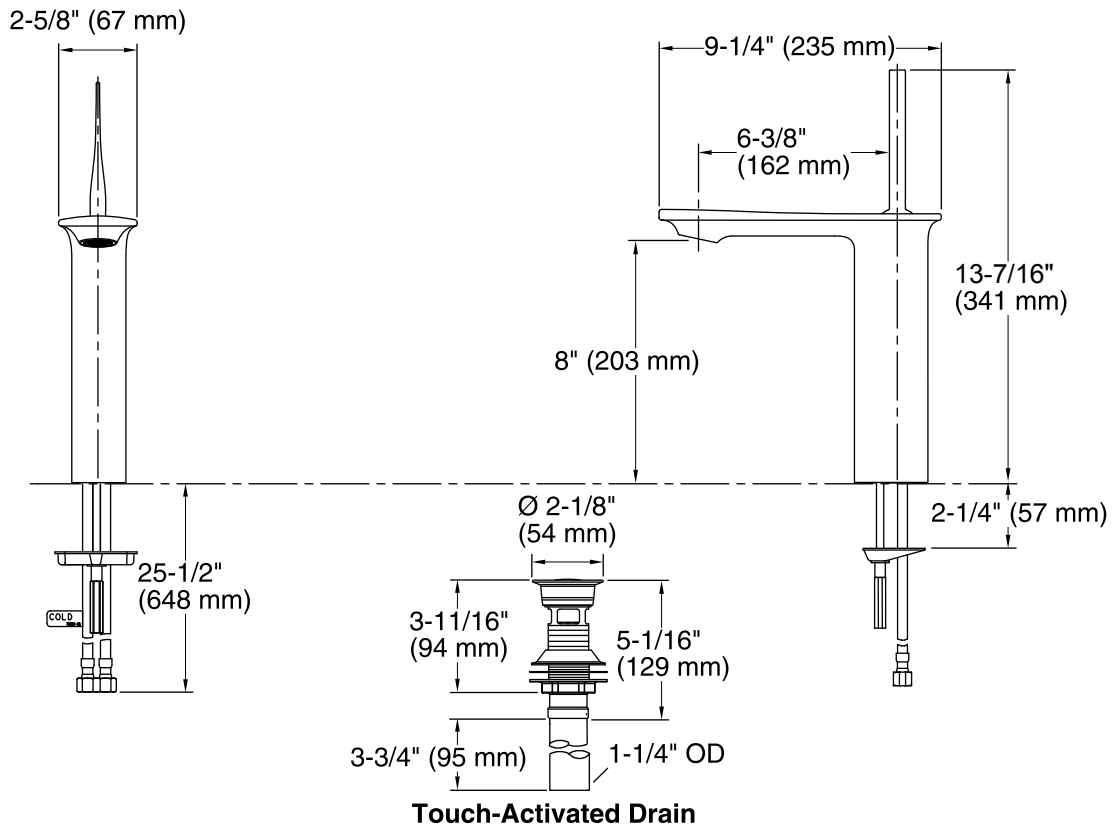
See website for detailed warranty information.

Available Color/Finishes

Color tiles intended for reference only.

Color	Code	Description
-------	------	-------------

	CP	Polished Chrome
	BN	Vibrant® Brushed Nickel



Technical Information

All product dimensions are nominal.

Faucet:

Flow rate: 1.2 gal/min (4.5 l/min)

Pressure: 60 psi (4.1 bar)

Drain included: Yes

Drain tailpiece included: Yes

Spout:

Spout reach: 6-3/8" (162 mm)

Notes

Install this product according to the installation guide.