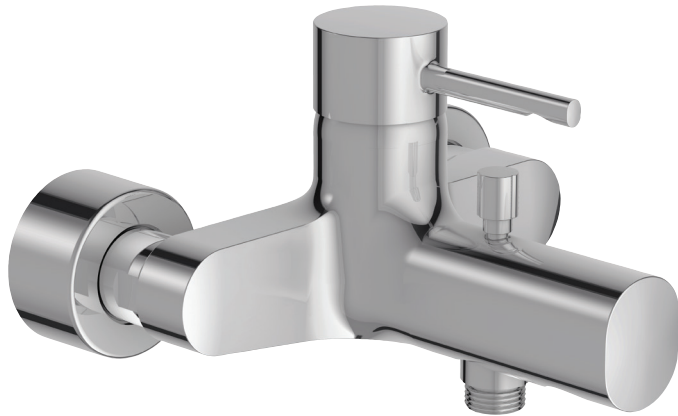


Single-lever wall-mount bath/shower mixer 45532D



Collection: CÜFF

Finish*:



CP - Polished
Chrome

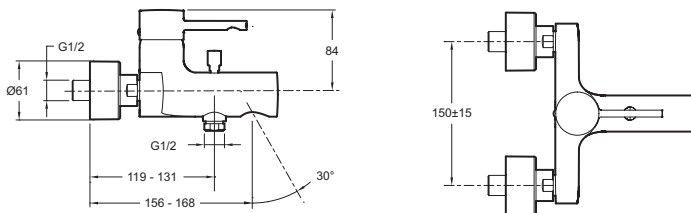
Main features:



Features

- Weight: 2.6 kg
- Normes: ACS (Certificate of Sanitary Compliance):10 ACC LY 004
- Connection: With connectors and wall escutcheons
- Hole configuration: 150 ± 15 mm
- Connectors with wall escutcheons
- Automatic diverter
- Installation: Wall-mount
- Flow rate: 24 l/min
- Mechanism: Ceramic disc cartridge
- Non-return valve on shower outlet
- Ceramix disc cartridge

Technical drawing



Product Specification: Single-lever wall-mount bath/shower mixer. 45532D. Collection: CÜFF. Weight: 2.6 kg. Installation: Wall-mount. Normes: ACS (Certificate of Sanitary Compliance):10 ACC LY 004. Flow rate: 24 l/min. Connection: With connectors and wall escutcheons. Mechanism: Ceramic disc cartridge. Hole configuration: 150 ± 15 mm. Non-return valve on shower outlet. Connectors with wall escutcheons. Ceramix disc cartridge. Automatic diverter.