



**Collection:** STANCE

**Finish\*:**



CP - Polished  
Chrome

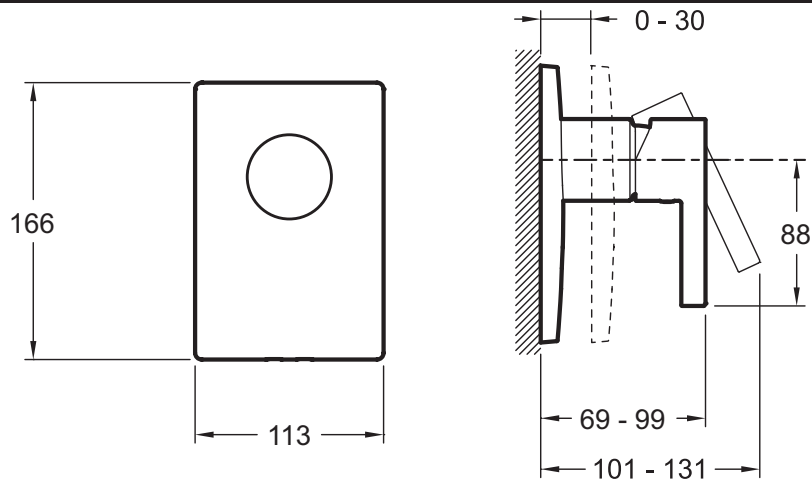
### Features

- Weight: 1.9 kg
- Normes: ACS (Certificate of Sanitary Compliance): 10 ACC LY 004
- Incl. non-return valve
- DVGW NW-6512CP0427
- Installation: Wall-mount
- Incl. single-lever built-in mixer
- Ceramic disk cartridge

### Required products

- 98699D: Universal concealed box

### Technical drawing



Product Specification: Trim and lever for built-in shower mixer. 98711D. Collection: STANCE. Weight: 1.9 kg. Installation: Wall-mount. Normes: ACS (Certificate of Sanitary Compliance): 10 ACC LY 004. Incl. single-lever built-in mixer. Incl. non-return valve. Ceramic disk cartridge. DVGW NW-6512CP0427.