

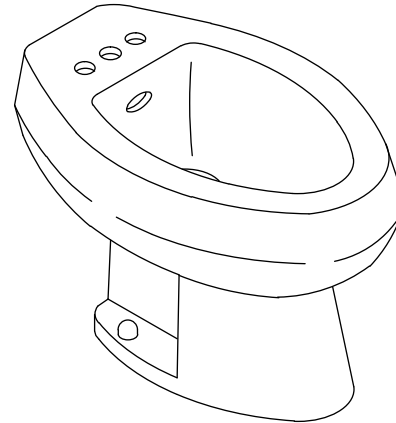
### Features

- Vitreous china
- Drilled for fixture-mounted centerset over-the-rim bidet faucet
- For above or below the floor rough-in
- Includes mounting hardware

### Codes/Standards Applicable

Specified model meets or exceeds the following:

- ASME A112.19.2/CSA B45.1



### Colors/Finishes

- 0: White
- Other: Refer to Price Book for additional colors/finishes

### Accessories

- CP: Polished Chrome
- PB: Vibrant® Polished Brass
- Other: Refer to Price Book for additional colors/finishes

### Specified Model

Model	Description	Colors/Finishes	
K-4864	Bidet	<input type="checkbox"/> 0	<input type="checkbox"/> Other_____

Recommended Accessories				
K-8240	Taboret® LX faucet <b>OR</b>			<input type="checkbox"/> Other_____
K-8240-K	Taboret base faucet <b>OR</b>	<input type="checkbox"/> CP	<input type="checkbox"/> PB	
K-16131	Revival® faucet	<input type="checkbox"/> CP	<input type="checkbox"/> PB	<input type="checkbox"/> Other_____
K-8998	P-Trap	<input type="checkbox"/> CP		

### Product Specification

The bidet shall be made of vitreous china. The bidet shall be drilled for fixture-mounted centerset over-the-rim bidet faucet. The bidet shall be for above or below the floor rough-in. The bidet shall include mounting hardware. The bidet shall be Kohler Model K-4864-\_\_\_\_\_.

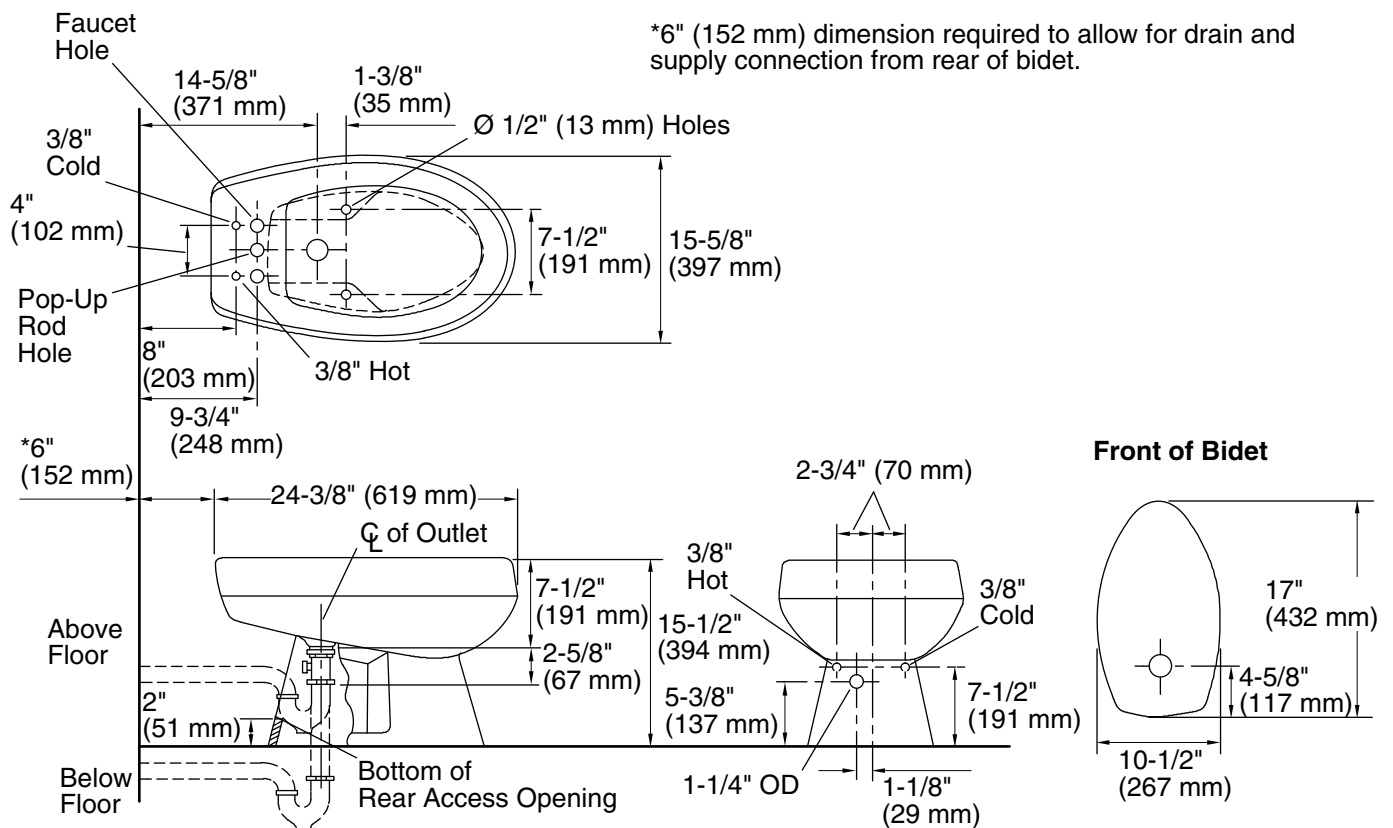
# AMARETTO®

## Technical Information

Fixture:	
Configuration	Faucet deck
Drain hole	Ø 1-3/4" (44 mm)
Faucet hole	Ø 1-3/16" (30 mm)
Pop-up rod hole	Ø 1-3/16" (30 mm)
Included components:	
Floor screws and cap bolts	52049

## Installation Notes

Install this product according to the installation guide.  
Install trap in drain line below floor.



## Product Diagram